



OWNER'S MANUAL
ECO T5 Light



T5 Light Components

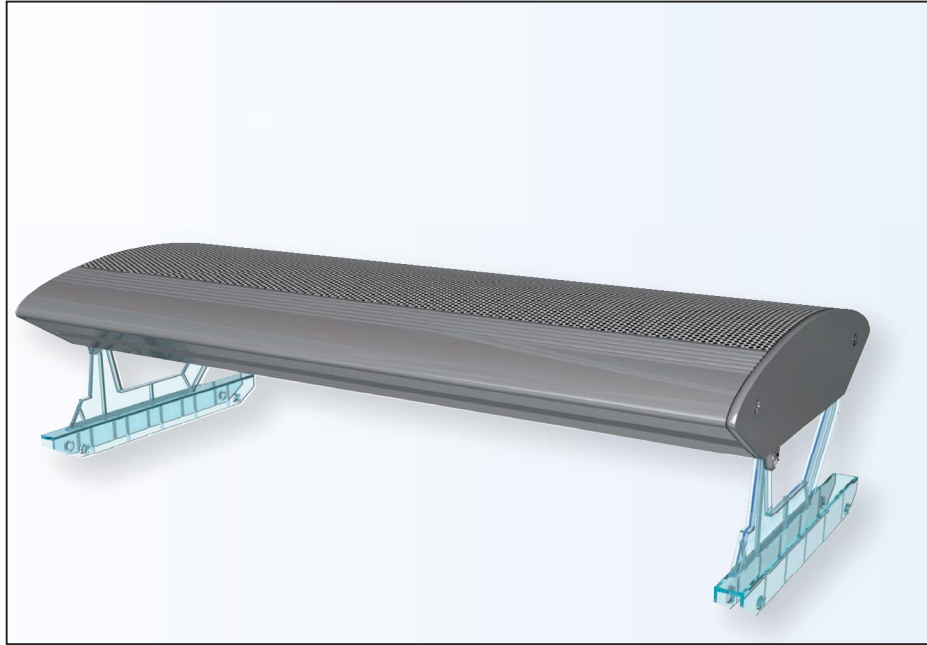




Table of Contents

| | Page Number |
|---------------------------|-------------|
| T5 Light Components..... | 2 |
| Safety Instructions | 4-5 |
| Introduction | 6 |
| Installation Steps..... | 6 |
| Warranty | 8-9 |



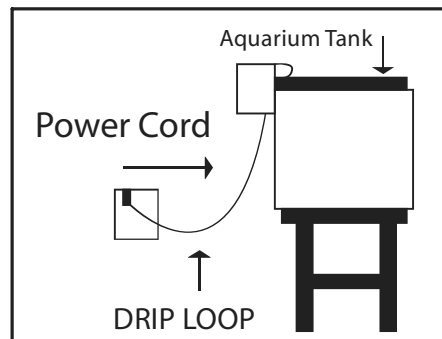
Safety Instructions

IMPORTANT SAFEGUARDS – To avoid injury, basic safety precautions should be observed. PLEASE READ AND FOLLOW ALL SAFETY INSTRUCTIONS BEFORE PROCEEDING.

DANGER – To avoid possible electric shock, special care should be taken in the use of aquarium equipment. For each of the following situations, DO NOT attempt any repairs yourself; return the appliance to an authorized service facility.

1. READ AND OBSERVE ALL THE IMPORTANT NOTICES ON ALL ELECTRICAL APPLIANCES.
2. Do not use an electrical appliance for other than intended use. The use of attachments not recommended or not sold by the appliance manufacturer may cause an unsafe condition.
3. Do not operate any appliance if it has a damaged cord or plug, if it is malfunctioning, if it is dropped or damaged in any manner.
4. Make sure an appliance mounted on a tank is securely installed before operating it. Do not install or store the appliance where it will be exposed to the weather or to temperatures below freezing.

5. To avoid the possibility of the appliance plug or receptacle getting wet, position the aquarium stand and tank to one side of a wall mounted receptacle to prevent water from dripping onto the receptacle or plug. A "drip loop", should be arranged by the user for each cord connecting an aquarium appliance to the receptacle. The "drip loop" is that part of the cord below the level of the receptacle. If the plug or receptacle does get wet, DO NOT unplug the cord.



Disconnect the fuse or circuit breaker that supplies power to the appliance. Then unplug and examine for presence of water in the receptacle.

6. Carefully examine the appliance after installation. It should not be plugged in if there is water on parts not intended to be wet.



7. If the appliance shows any signs of abnormal water leakage, immediately unplug from power source.
8. If the appliance falls into the water, DO NOT reach in for it. First, unplug it from the power source, then retrieve it.
9. The light fixture has a polarized plug (one blade is wider than the other). As a safety feature, this plug will fit in a polarized outlet only one way. If the plug does not fit fully in the outlet, reverse the plug. If it still does not fit, contact a qualified electrician. Never use with an extension cord unless the plug can be fully inserted. DO NOT attempt to defeat this safety feature. – USA units only
10. If an extension cord is necessary, a cord with a proper rating should be used. A cord rated for fewer amperes or watts than the appliance rating may overheat. Care should be taken to arrange the cord so that it will not be tripped over or pulled.
11. Always unplug from outlet when not in use, before putting on or taking off parts, and before cleaning. Never yank the cord to pull the plug out from the outlet. Grasp the plug and pull to disconnect.
12. To avoid injury, do not make contact with moving parts or hot parts such as heaters, reflectors, light bulbs, light fixtures, etc.
13. Close supervision is necessary when any electrical appliances are used by or near children.

Save these instructions. EcoSystem Aquarium® will not be held responsible or liable for damage to persons, appliances, animals and/or aquariums that result from negligent care and failure to follow safety precautions and instructions on the part of the consumer.

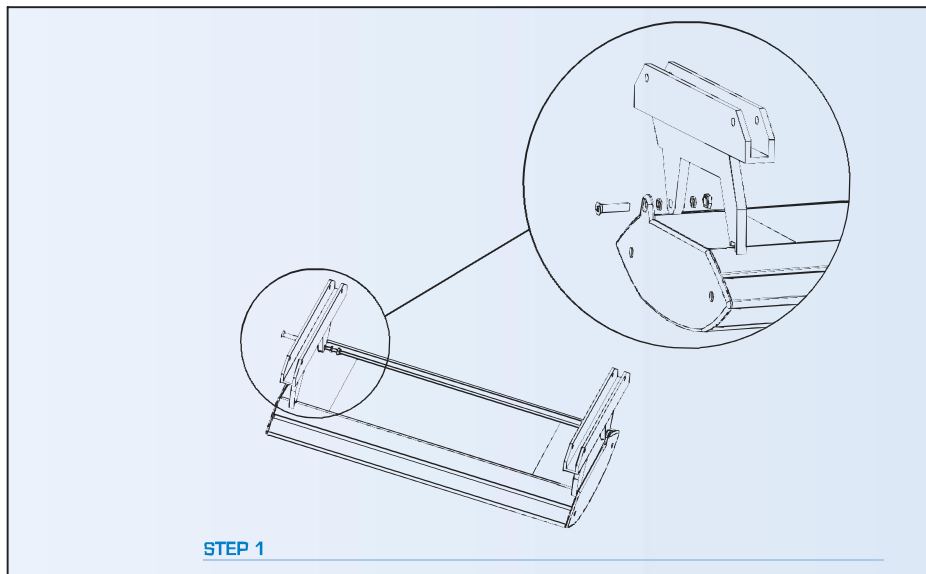


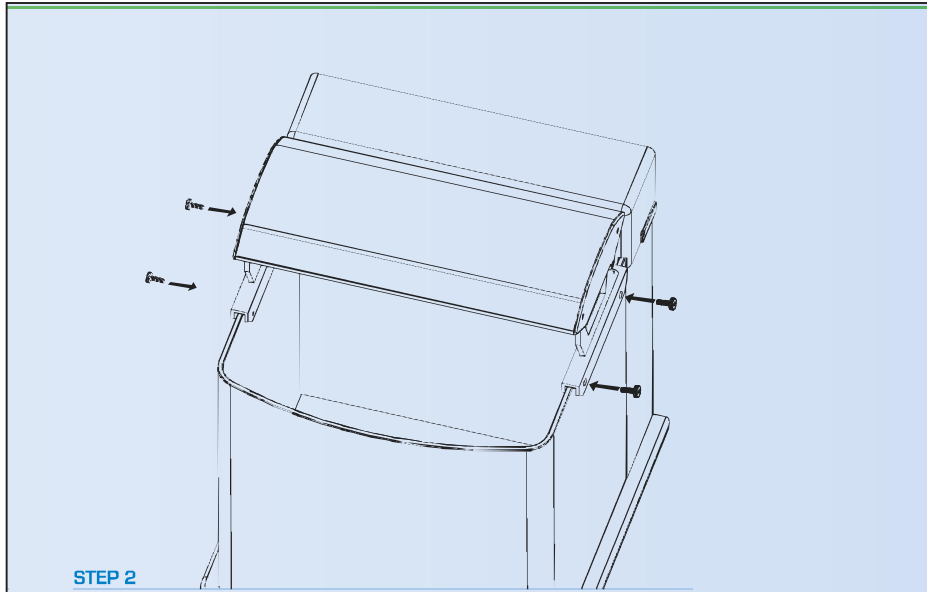
Introduction

Before you begin your journey into the wonderful world of reefkeeping, we recommend that you acquire the following books: *The New Marine Aquarium* by Michael Paletta, *A PocketExpert™ Guide to Reef Aquarium Fishes* by Scott Michael, and *A PocketExpert™ Guide to Marine Invertebrates* by Dr. Ronald Shimek, all from Microcosm Books. These three references will provide invaluable information on which fish and/or corals can or cannot be kept in the small confines of aquariums, such as the ECO MINIs, and will help you avoid unnecessary frustration, time and money, and increase your chances of success in the marine aquarium hobby. Then, follow the step-by-step instruction guide and your experience will truly be a rewarding one.

Step 1: Setting up the T5 Light

T5 lighting is appropriate for corals and other invertebrates that do not require intense lighting. Please refer to *A PocketGuide™ to Marine Invertebrates* by Dr. Ronald Shimek for tips on selecting invertebrate inhabitants for your ECO MINI aquarium. T5 lighting is also known to emit less heat than other reef aquarium lighting, such as power compacts and metal halide lighting. This lighting choice will not cause temperatures to rise dramatically when the main light is turned on. However, it will also limit the choice of corals and other invertebrates you will be able to keep in your reef aquarium. When using T5 lighting, avoid invertebrates, such *Tridacna* sp. clams, *Xenia* sp. corals and small-polyped stony corals, as these animals require more intense lighting.







EcoSystem Aquarium

(1) Year Limited Warranty

LIMITED WARRANTY COVERAGE

EcoSystem Aquarium warrants to the original purchaser that, except for limitations and exclusions set forth below, this EcoSystem Aquarium manufactured product shall be free from defects in materials and workmanship for a period of one (1) year from the date of original retail purchase ("Warranty Period"). The obligation of EcoSystem Aquarium under this Limited Warranty shall be limited to repair or replacement, at EcoSystem Aquarium option, without charge, of any part or unit that proves to be defective in material or workmanship during the Warranty Period.

EXCLUSIONS AND LIMITATIONS

This Limited Warranty applies only to product manufactured by EcoSystem Aquarium. The Limited Warranty does not apply to any non-EcoSystem Aquarium manufactured products, even if packaged or sold with EcoSystem Aquarium products. Non-EcoSystem Aquarium manufacturers, suppliers, or publishers may provide their own warranties. Please contact an EcoSystem Aquarium representative for more information on non-EcoSystem Aquarium manufacturers.

This Limited Warranty applies only to defects in factory materials and factory workmanship. This Limited Warranty does not apply: (a) any conditions or damage caused by an accident, abuse, misuse, destruction, alteration, improper operation or violation of instructions furnished by EcoSystem Aquarium; (b) any conditions or damage caused by improper electrical voltages or currents; or (c) any conditions or damage caused by repair or maintenance attempted by anyone other than the EcoSystem Aquarium.

THIS WARRANTY AND REMEDIES SET FORTH ABOVE ARE EXCLUSIVE AND IN LIEU OF ALL OTHER WARRANTIES, REMEDIES AND CONDITIONS, WHETHER ORAL, WRITTEN, EXPRESS OR IMPLIED. ECOSYSTEM AQUARIUM SPECIFICALLY DISCLAIMS ANY AND ALL IMPLIED WARRANTIES, INCLUDING, WITHOUT LIMITATION, WARRANTIES OF MERCHANTABILITY AND FITNESS FOR A PARTICULAR PURPOSE. IF ECOSYSTEM AQUARIUM CANNOT LAWFULLY DISCLAIM IMPLIED WARRANTIES UNDER THIS LIMITED WARRANTY, ALL SUCH WARRANTIES, INCLUDING WARRANTIES OF MERCHANTABILITY AND FITNESS FOR A PARTICULAR PURPOSE ARE LIMITED



EcoSystem Aquarium "Bringing Nature Closer To You"

TO THE DURATION OF THIS WARRANTY.

No EcoSystem Aquarium reseller, representative, or employee is authorized to make any modifications, extension, or addition to the warranty. Some states and provinces do not allow the exclusion or limitation of incidental or consequential damages or exclusions or limitations on the duration of implied warranties or conditions, so the above limitations or exclusions may not apply to you. This warranty gives you specific legal rights, and you may also have other rights that vary by state or province.

HOW TO OBTAIN WARRANTY REPAIRS/REPLACEMENT

If you purchased the product in the U.S. or Canada, deliver the product, at your expense, to EcoSystem Aquarium - USA. If you purchased the product in Europe, deliver the product, at your expense, to EcoSystem Aquarium – Europe. If you purchased the product in other countries not mentioned above, deliver at your expense, to any EcoSystem Aquarium Authorized Dealer in the country where you purchased the product.

U.S.A. /CANADA

1011 South Linwood Avenue
Santa Ana, CA 92705 - U.S.A
Tel: (714) 543-4100
Fax: (714) 543-4800

EUROPE

Postfach 63 / Hauptstrasse 14
D-93354 Biburg - GERMANY
Tel: 09443-918375
Fax: 09443-918376

JAPAN

1-12-10 Shin-machi
Nishi-kum, Osaka 550-0013
Tel (0) 6 6543 7038
Fax (0) 6 6543 6978

Please use the original container, or pack the unit(s) in a sturdy carton with sufficient packing to prevent damage. Include the following information:

1. A proof-of-purchase (receipt) indicating model number and date of purchase.
2. Bill – to Address.
3. Ship – to Address.
4. Number and description of units shipped.
5. Name and telephone of person to call, should contact be necessary.
6. Reason for return and description of the problem.

Damage occurring during shipment is deemed the responsibility of the carrier, as claims should be made directly with the carrier.

The name EcoSystem Aquarium and the EcoSystem Aquarium logo are trademarks of EcoSystem Aquarium, Inc. register in the U.S.



EcoSystem
AQUARIUM
Bringing You Closer to Nature

1011 S. Linwood, Santa Ana, CA 92705
Tel. 714.543.4100 • Fax. 714.543.4800

www.ecosystemaquarium.com